

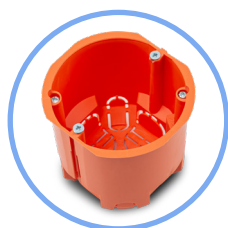
C 5 / C 30 / C 60

VOLUME CONTROLLERS FOR 100 V SYSTEMS

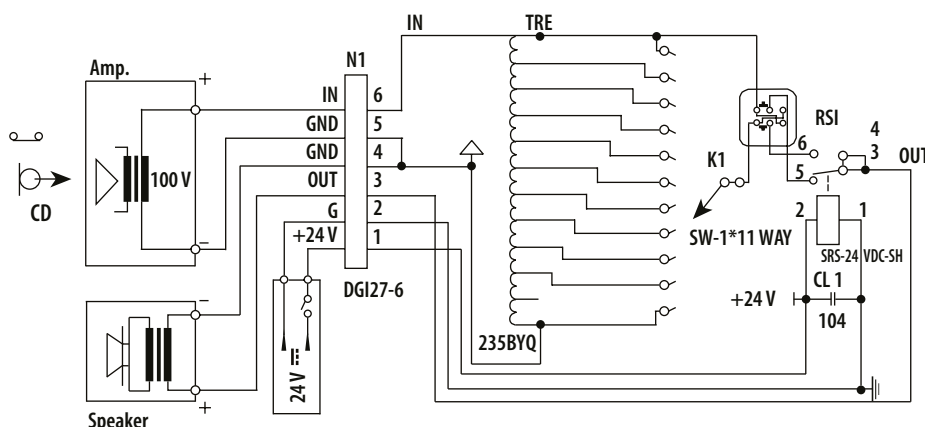
C volume controllers are designed for local sound level adjustment in background music and voice evacuation systems. They feature a 10-step attenuation control and include a built-in 24 V internal emergency relay with a switch to select between active and passive modes. Available for speaker line power ratings of 5 W, 30 W, and 60 W. These controllers are compatible exclusively with CboxD mounting boxes, which can be ordered separately.



Technical Specifications	C 5	C 30	C 60
Input	5 W	30 W	60 W
Steps	10 + Off		
Cover dimensions	86 mm x 86 mm x 19 mm, knob Ø 35 mm		
Internal part thickness	23 mm	43 mm	
Material	ABS plastic		
Switch modality	DC 24 V / 6 wire		
Modality	Resistor	Transformer	
Weight	0.08 kg	0.23 kg	
Emergency relay	DC 24 V		
Colour	Black (RAL 9004), White (RAL 9010)		
Mounting accessories	CBoxD installation box		



Compatible CBoxD installation box for drywall & concrete



Active mode: Volume control will be fully opened and set to the maximum level until 24V DC is supplied. After DC powering, volume control will come in to operation.
 Passive mode: Volume control will be active before 24V DC will not be supplied. When DC is powered, Volume control will not be active and volume will be set to maximum level.