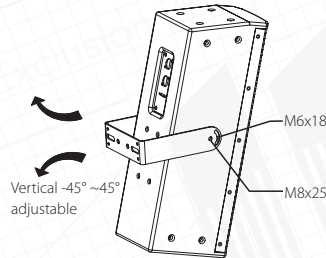


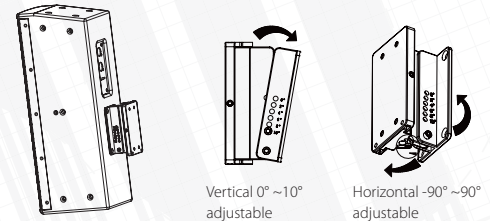
RF 55 Installation manual

① Standard Wall Mount (with the U bracket included in the package)

STEP 1: Remove the M6 and M8 locating inserts from the cabinet as shown
 STEP 2: Align the U bracket with the screw holes and use the included M8x25 machine screws to fix it to both side on the cabinet
 STEP 3: Insert the included M6x18 machine screws through the curved slots on the U bracket into the screw holes but do not tighten them.
 STEP 4: Adjust the U bracket to your desired angle and then tighten the M6x18 screws on both side.

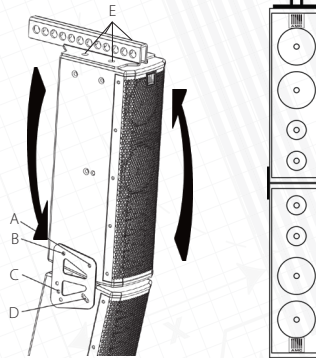


② AMC RF UB55 Multiangle Bracket (sold separately) Refer to installation manual included with AMC RF UB55 bracket.



③ AMC RF B55 mounting set (sold separately)

Extension plate:
 STEP 1: Rotate upper cabinet upside down, so that the AMC logo is at the top. Rotate the logo direction.
 STEP 2: Remove all the M8 locating inserts (A,B,C&D) from the both upper and lower cabinet as shown
 STEP 3: Align the extension plate with the screw holes on the upper cabinet (point A&B) and use the included M8x25 machine screws to fix it to cabinet
 STEP 4: Insert another M8x25 machine screw through the curved slots on the extension plate into the screw hole (point D) but do not tighten it
 STEP 5: Determine the angle between the two cabinets, (0, 10 and 20 on choice), adjust the lower cabinet until the point C lines up with the hole marked with the angle you choosed. Then fix it with a M8x25 screw
 STEP 6: Tighten the screw on point D



Flying frame:
 STEP 1: Remove four M8 locating inserts (E) from the top of the upper cabinet
 STEP 2: Align the frame plate with the screw holes on the cabinet and use the included M8 machine screws to fix it

NOTE: when using only one cabinet with flying frame, there is no need to hang it upside down. Hand the cabinet in normal position with AMC logo at the bottom.

Please pay attention: Mount loudspeaker on the reliable base only.